

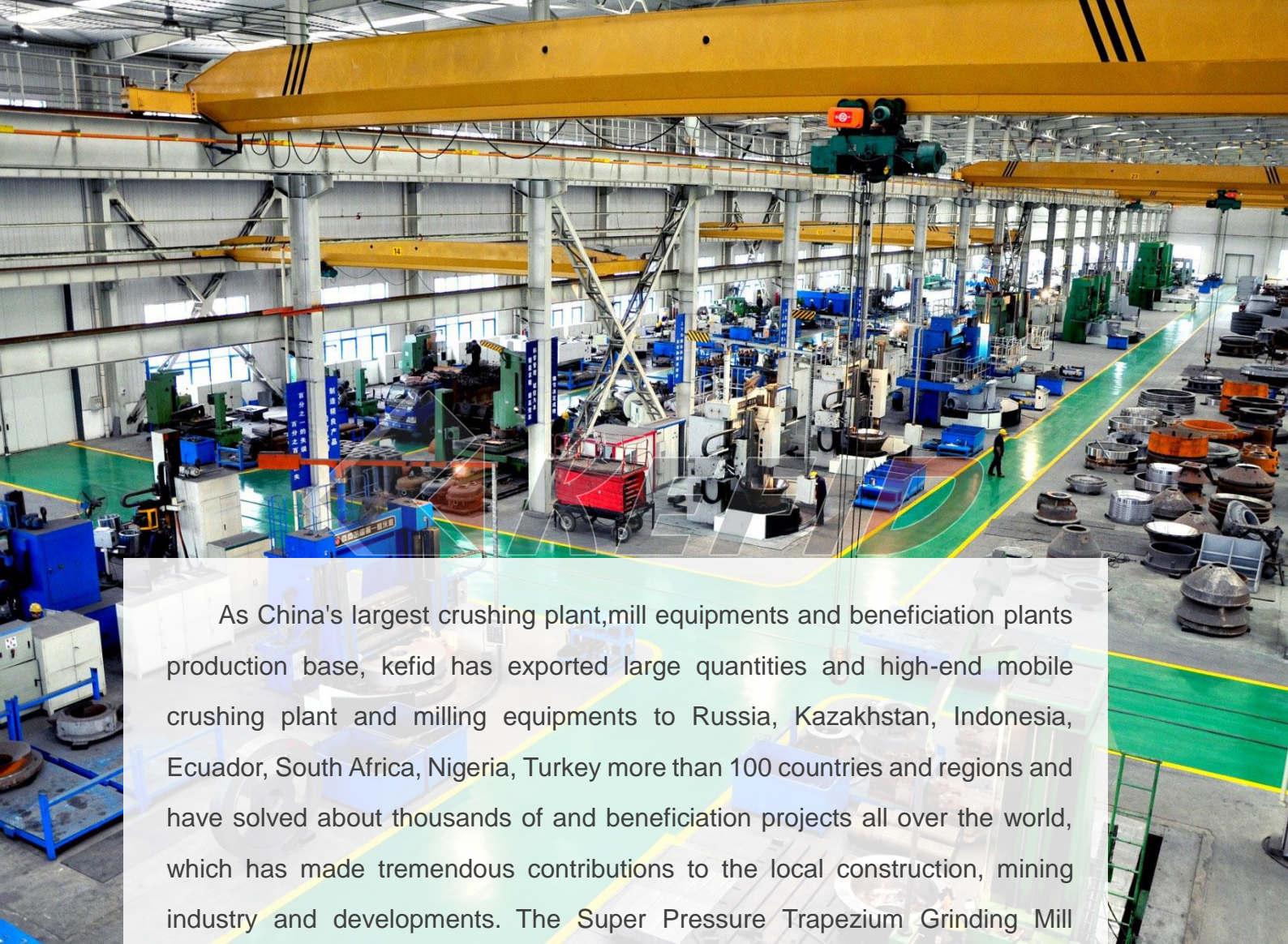


Trapezium Mill

Reach new height with KEFID

- Low loss flexible connection
- The production increases 50%
- Roller linkage supercharger
- Improve the fineness of the final product





As China's largest crushing plant, mill equipments and beneficiation plants production base, kefid has exported large quantities and high-end mobile crushing plant and milling equipments to Russia, Kazakhstan, Indonesia, Ecuador, South Africa, Nigeria, Turkey more than 100 countries and regions and have solved about thousands of and beneficiation projects all over the world, which has made tremendous contributions to the local construction, mining industry and developments. The Super Pressure Trapezium Grinding Mill expands the advantages and optimizes the structure of the product. Trapezium Mill adopts our patented technologies, which are trapezium working surface, flexible connection, roller linked pressure boost, etc. It has reached the advanced international level of powder making equipment manufacturing.

The equipment increased the production efficiency and the fineness of the final product because of the roller and grinding ring which are designed in inverted trapezium with different diameter and the high efficient balanced adding pressure springs, which provide high efficiency and low-energy grinding techniques for the customers from Australia, America, England and Spain. TGM Series Super Pressure Trapezium Mill is widely used in metallurgy, manufacture of building materials, chemical industry, mining industry, etc.



The Super Pressure Trapezium Grinding Mill OWNS FIVE National Patents and Good Reputations

1. The trapezium roller and grinding ring improve the grinding efficiency greatly. The roller and grinding ring are designed in inverted trapezium with different diameter, which reduce the slip velocity of materials between roller and grinding ring, extend grinding time, and improve the grinding efficiency;

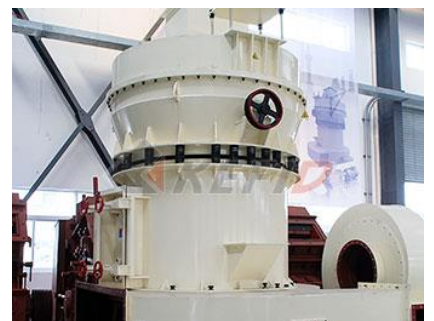
2. With high efficient balanced adding pressure springs. Adopting the advantages of Raymond Mill and High Pressure Suspension Mill, Super Pressure Trapezium Grinder has longer service life. The roller assembly has been linked by the pulling pole and the leveled springs, with the radial force yielding, which avoids the bulk material entering into the grinding chamber to wear down the principal axis and the bearings, thus the service life will be longer;

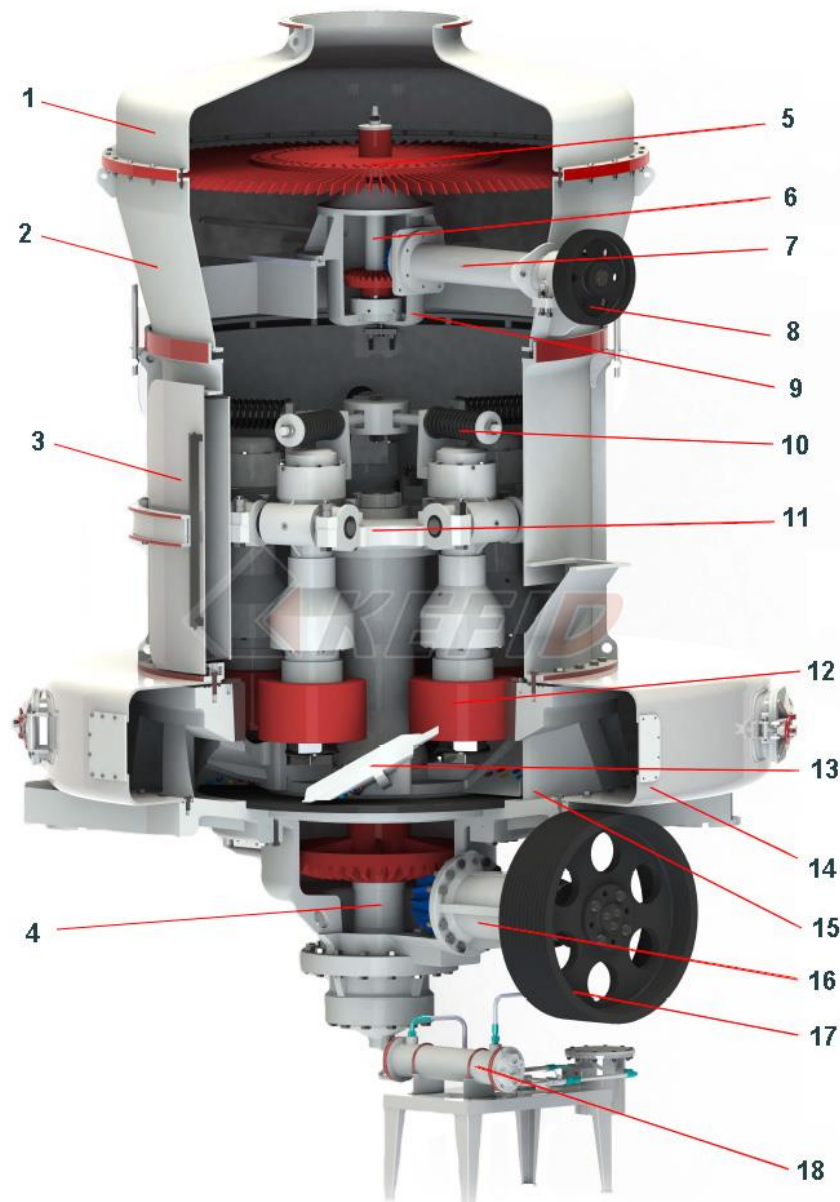
3. There is high-efficiency and energy-saving centrifugal induced draft fan.

4. With the impeller adjusting device brings more convenience. The clearance between housing and powder concentrator's blade front end also effects the fineness of the final product. The patent technology enables adjust the clearance more convenience.

5. Using flexible connection to connect main frame and powder concentrator, so the damping spring and airproof belt can reduce the vibration and noise, and avoid the resonance as well;

6. The high density and high precision impeller increases the efficiency.





- | | |
|---|-------------------------------------|
| 1- The upper shell of separator | 10- Spring |
| 2- The low shell of separator | 11- The hanging bracket of roller |
| 3- The main frame | 12- Roller |
| 4- The main shaft | 13- Shovels |
| 5- The rotor of the separator | 14- Volute |
| 6- The main shaft assembly of separator | 15- The engine base |
| 7- The transverse shaft assembly of separator | 16- The transmission shaft assembly |
| 8- The belt wheel of separator | 17- The belt wheel of main engine |
| 9- The oil sump of separator | 18- Lubricating oil line |

Technical Parameters of Trapezium Mill

Item//Model	TGM100	TGM130	TGM160
Roller piece	4	5	6
Roller Diameter×Height(mm)	Φ320×200	Φ410×240	Φ440×270
Ring Inner Diameter×Height(mm)	Φ980×200	Φ1280×240	Φ1600×270
Speed Of Main frame (r/min)	130	103	82
Max. Input Size (mm)	<25	<30	<35
Product Size (mm)	1.6~0.045 fineness can reach to 0.038	1.6~0.045 fineness can reach to 0.038	1.6~0.045 fineness can reach to 0.038
Capacity (t/h)	3~8	6~15	9~22
Overall Dimension (mm)	7910×5365×8310	8910×7000×9645	12550×5700×8355
Weight (t)	16	26.1	35

Name	Item	Unit	Specifications & Technical Data			
			TGM100	TGM130	TGM160	
Motor for main frame	Model		Y225M-4	Y280M-4	Y135M1-4	
	Power	kW	45	90	132	
	Rev.	rpm	1480	1480	1480	
Motor for separator	Model		YCT200-4A	YCT200-4B	YCT225-4A	
	Power	kW	5.5	7.5	11	
	Rev	rpm	125~1250	125~1250	125~1250	
Motor for Elevator	Model		Y100L-4	Y100L2-4	Y112M-4	
	Power	kW	3	3	4	
	Rev	rpm	1420	1420	1420	
Motor for Blower	Model		Y225M-4	Y280M-4	Y135M1-4	
	Power	kW	45	90	132	
	Rev	rpm	1480	1480	1480	
Motor for Jaw Crusher	Model	PE	200×350	250×400	250×400	250×750
			Y160M-6	Y180L-6	Y180L-6	Y200M-6
	Power	KW	7.5	15	15	22
	Rev	rpm	970		970	970
Electro-Magnetic Vibrating Feeder	Model		GZ2F	GZ2F	GZ3F	
	Power	W	150	150	200	

Note: The final technical data are subject to the operation manual along with the machine.

The analysis of large-scale grinding plant



Kefid **10-15tph** Phosphate grinding plant in Sri Lanka



MATERIAL : rock phosphate

OUTPUT SIZE : 50-150 micron

INPUT SIZE : 30mm

CAPACITY : 10-15t/h

EQUIPMENT : Trapezium Mill TGM160

Kefid **5-6tph** Gypsum Grinding Plant in Mexico



Processed Material: gypsum

Maximum feeding size: 350mm

Output size: 200mesh

Capacity : 5-6 t/h

Equipment: TGM130 grinding mill, jaw crusher PE400 * 600,
hammer crusher PC400 * 600



The Strength of Kefid

Kefid Machinery is a leading and pioneering enterprise with the most advanced international level in R&D, manufacturing and selling of large-scale crushing & screening plants and beneficiation plants. Located in a historic city and transportation hub in central China-Zhengzhou, covering 140 thousand square meters, Kefid has Shangjie and High-tech zone two production bases. Shangjie Zone which covers 80,000 square meters has three heavy-duty and modern integrated assembling workshops--occupying 50,000 square meters; High-tech zone has 22 floors R&D Management laboratory building with 26,000 square meters, comprehensive equipments exhibition hall with 5,100 square meters, heavy-duty and modern integrated assembling workshop with 10,000 square meters, and also has the industry's most advanced machining workshop 20,000 square meters, and hundred sets of advanced large-scale vertical lathe, fixed lathe, planner, boring lathe, grinder and milling machines.



SERVICE-With Me- Enjoy your pleasant journey

Your profit is our greatest concern and your praise is the biggest compliment that we diligently strive for. Our aim is, with the core of service, tailored for you the most valuable products with comprehensive pre-sale, sale and after sale service.

Tel: 0086-371-67999255

Email: Sales@kefid.com



SPARE PARTS

Grinding Plant



Ring



Roller



Shovel Base



Hinged support



Classifier Impeller

Crushing Plant



Weights for movable



Fixed jaw plate



Movable jaw plate



Lining board



wedge

Sand-making Equipment



Circum Guard plate



Impact Plate



Impact Block



Hammer



wearproof Plate

PRODUCT LIST

Stationary Crushers

JC Series Jaw Crusher
Jaw Crusher
C6X Series Jaw Crusher
Primary Impact Crusher
CI5X Series Impact Crusher
Impact Crusher
CS Cone Crusher
Spring Cone Crusher
HPT Cone Crusher
Deep Rotor VSI Crusher
B Series VSI Crusher
VSI6S vertical shaft impact crusher

VU System Equipment

Dry Sand Making System
Dry-Mixed Mortar Sand Making Equipment
Concrete-Use Sand Making Equipment

Grinding Mills

Ultra Fine Vertical Grinding Mill
VM - Vertical Grinding Mill
European Tech. Grinding Mill
Micro Powder Mill
Raymond Mill
Ball Mill

Washing & Screening

F5X Heavy Vibrating Feeder
Screw Sand Washing Machine
Wheel Sand Washing Machine
Vibrating Feeder
Belt Conveyor

K series mobile plants

Primary mobile crushing plant
Mobile Secondary Crushing & Screening Plant
Independent Operating Combined Mobile Station
Fine crushing and screening mobile station
Fine crushing & washing mobile station
Three combinations mobile crushing plant
Four combinations mobile crushing plant

Crawler Mobile Crusher

Ore Beneficiation

Jaw Crusher
HPT Cone Crusher
Ball Mill
Rotary Kiln
Flotation Machine
High Gradient Magnetic Separator

Address: National HI-TECH Industry Development Zone.Zhengzhou,China.

Tel : 0086-371-67999255(24 Hour) / 67988500

Fax: 0086-371-67998980

Zip code: 450001

Email: sales@kefid.com

Web: <http://www.kefid.com>

